



T20 Water Filter 9370-00

**Removes common off tastes and odors and excess chlorine.
Fine filters cloudiness, cysts and precipitated lead.**

The precoat design of the T20 water filter includes a long-life rechargeable filtering element and a proprietary blend of filtering materials. These features give the T20 filter the capacity to adsorb the taste and odor of chlorine from chemically treated water as well as other disagreeable tastes and odors, such as metallic "pipe" tastes and musty, fishy smells. Simultaneously, the T20 filter removes particles of dirt and other fine impurities which give water a cloudy, distasteful appearance. Water filtered by the T20 water filter is sparkling clear and fresh tasting.



T20 Water Filter: 9370-00
2053 MICRO-PURE Charge: 9690-00
2055 Element & MICRO-PURE Charge: 9710-00

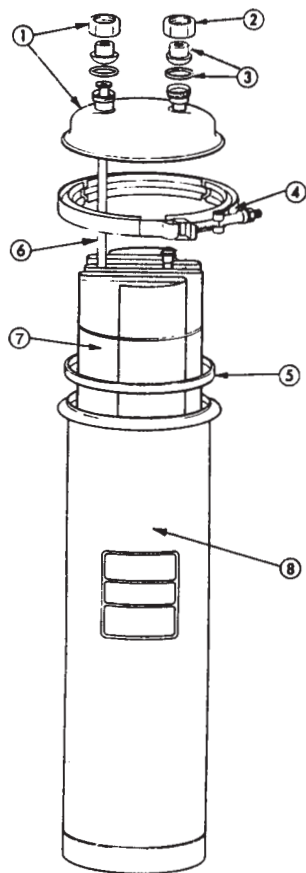
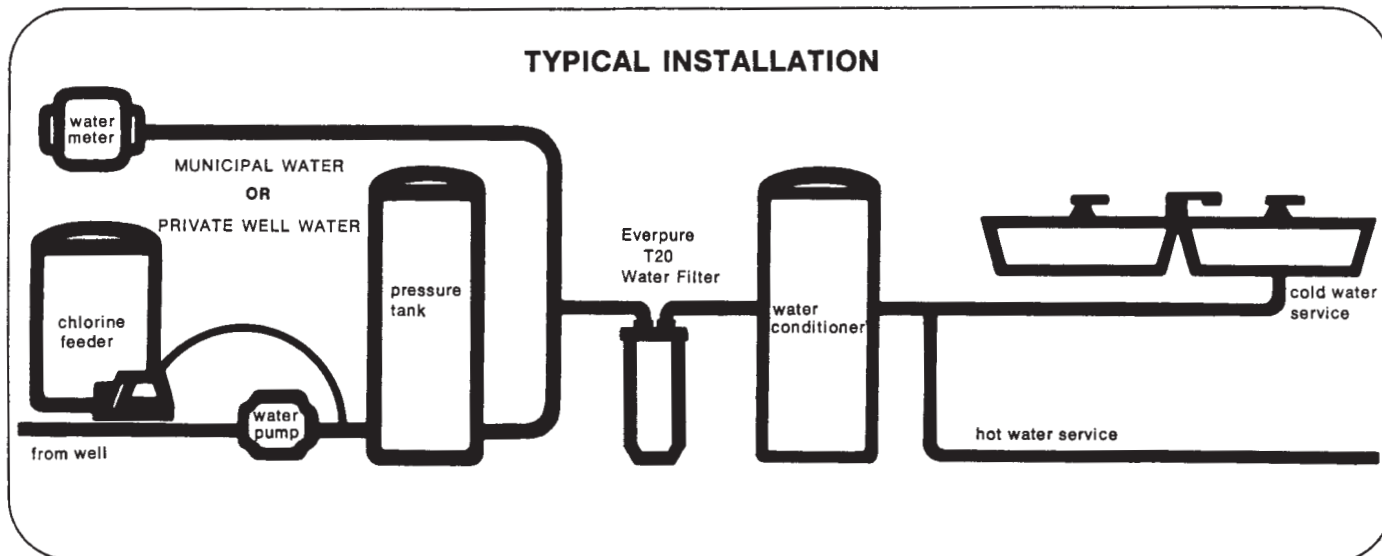
SPECIFICATIONS

Filtration Rating:	1-2 microns (95 - 99%)
Shell Type:	Stainless steel
Filter Type:	Precoat filtration
Septum:	Inert, reuseable, non-biodegradable material
Rated Flow:	5.0 to 8.0 gpm (see pressure drop graph on reverse side)
Recharge:	MICRO-PURE® carbon charge
Capacity:	Varies dependent upon incoming water quality.
Integrity:	Will not allow particles to pass through when pressure increases to maximum. Will not secretly fail.
Pressure:	20 psi (1.4 bar) to 100 psi (7 bar) (Protect from water hammer)
Dimensions:	Height: 28-1/2" (72.4 cm) w/unions: 29-3/4" (75.6 cm) Diameter: 9-1/8" (23.2 cm) Required Vertical Space: 32" (81.3 cm) Required Horizontal Space: 10" (25.4 cm)
Weight (shipping):	21 lbs. (9.5 Kg)
Pipe Size (Inlet and Outlet):	3/4 in. unions

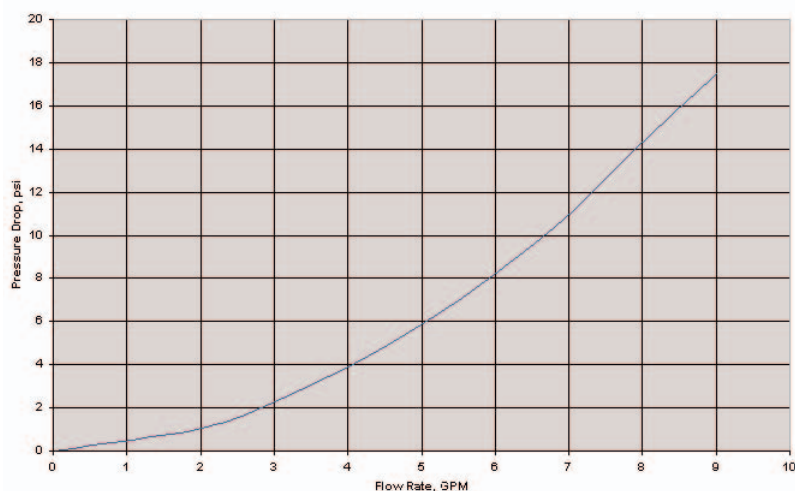
CONTAMINANT REDUCTION EFFICIENCY

Chlorine	90-99%
Fishy, musty, earthy tastes & odors	90-99%
Visible particles such as dirt and rust - larger than 40 microns	99%
Invisible particles that can make water hazy - 1 to 40 microns	97-99%
<i>Entamoeba histolytica, Giardia lamblia, Cryptosporidium parvum cysts</i>	97-99%
Asbestos fibers	99%
Oxidized iron, sulfide and manganese	99%

TYPICAL INSTALLATION



Flow Rate v. Pressure Drop



PARTS LIST

KEY NUMBER	DESCRIPTION	PART NUMBER
1	Stainless steel shell top with 3/4" union nuts	2012-00
2	3/4" union nut (one only)	2067-01
3	Connection set (two grooved tailpieces with O-rings)	2069-00
4	Stainless steel V-Band clamp with nut	3065-73
5	Gasket	0944-00
6	Inlet tube	2052-00
7	MICRO-PURE® charge and reusable element	9710-00
	MICRO-PURE® charge (only)	9690-00
8	Stainless steel shell (without top)	2029-00

EVERPURE
WATER YOU CAN TRUST.

EVERPURE, INC.
660 Blackhawk Drive
Westmont, IL 60559-9005
Tel (630) 654-4000
FAX (630) 654-1115
Technical Service
(800) 942-1153
<http://www.everpure.com>

In Europe:
N.V. EVERPURE (EUROPE)
S.A.
Research Park, Haasrode
B-3001 Heverlee
Belgium
Tel 32-16-401191
FAX 32-16-402691

In Japan:
EVERPURE JAPAN, INC.
1-8-19, Tsumada Kita,
Atsugi-Shi
Kanagawa 243
Japan
Tel 81-462 (23) 6563
FAX 81-462 (21) 6775