



Thank you for choosing Everpure. We know that you will be satisfied with the quality water you'll have for your family to drink and use for beverages and cooking. Everpure® products are unique in the consumer marketplace providing the filtration that commercial professionals use in their restaurants and beverage service.

Your Everpure Drinking Water System will provide delicious tasting, crystal clear water directly from the filtered tap...water that's great for making hot and cold beverages and ideal for drinking and cooking. All of the contaminants and other substances reduced by your system are not necessarily in your drinking water. However, the system can reduce chlorine taste and odor and other particulates 1/2 micron (1/50,000 of an inch) and larger.

OPERATING SPECIFICATIONS

Model:	Starter
Rated Capacity:	200 gallons (757 L)
Temperature:	35-100°F (2-38°C)
Pressure:	10 - 125 psi (0.7 - 8.6 bar)
Flow Rate:	0.5 gpm (1.9 Lpm)

For cold water use only.

HEALTH CLAIMS

This system tested and certified by the Water Quality Association against NSF/ANSI Standards 42 and 53 as verified and substantiated by test data.

Do not use with water that is microbiologically unsafe or of unknown quality with adequate disinfection before or after the system.

The contaminants or other substances removed by this drinking water system are not necessarily in your water.

STARTER KIT CONTAINS THE FOLLOWING ITEMS:

QL3 Head Assembly	1 ea.
Starter Cartridge	1 ea.
Tubing, 1/4"	5 ft.
Faucet (lead free)	1 ea.
Restrictor Fitting Pack	1 ea.
Water Supply Tee	1 ea.
Water Supply Female Adapter	1 ea.
Water Supply Male Adapter	1 ea.
Owner's Guide	1 ea.

TOOLS REQUIRED

- Phillips Screwdriver
- Utility Knife (for plastic tubing)
- Towel
- Pencil
- Tape Measure
- Adjustable Wrench
- Safety Glasses

OPTIONAL MATERIALS

- Center Punch
- 1/4" and 3/4" drill bit
- Hand or electric drill (cordless recommended)

INSTALLATION

It is important that the installation be clean and sanitary. It is recommended that all water-contact parts—fittings, tubing, faucet, etc.—be immersed in disinfectant (a capful of laundry bleach per bucket of water) at the start of the installation.

The Starter is packaged with the brackets mounted for rear wall installation (see Fig. A). The bracket from a single-headed unit may be removed and remounted for left or right wall installation (see Fig. B or C) whichever is most appropriate to the plumbing configuration.

The system must be mounted in the vertical position, cartridge(s) hanging down.

Use the unit's bracket as a template to mark and set mounting hardware. Single cartridge systems will weigh about 4 lbs. when filled with water. For drywall or plaster, fasteners other than the two screws provided should be used to assure a secure mounting.

1. SELECTING THE FAUCET LOCATION

NOTE: The drinking water faucet should be positioned with function, convenience, and appearance in mind. An adequate flat area is required to allow faucet base to rest securely. The faucet fits through a 3/4" hole. Most sinks have pre-drilled 1 1/8" or 1 1/2" diameter holes that may be used for faucet installation. If these pre-drilled holes cannot be used or are in an inconvenient location, it will be necessary to drill a 3/4" hole in the sink to accommodate the faucet.

CAUTION: This procedure may generate dusts which can cause severe irritation if inhaled or come in contact with the eyes. The use of safety glasses and respirator for this procedure is recommended.

CAUTION: DO NOT ATTEMPT TO DRILL THROUGH AN ALL-PORCELAIN SINK. If you have an all-porcelain sink, mount the faucet in pre-drilled sprayer hole or drill through countertop next to sink.

CAUTION: When drilling through a countertop make sure the area below the drilled area is free of wiring and piping. Make certain that you have ample room to make the proper connections to the bottom of the faucet.

CAUTION: Do not drill through a countertop that is more than 1" thick.

CAUTION: Do not attempt to drill through a tiled, marble, granite or similar countertop. Consult a plumber or the countertop manufacturer for advice.

- (A) Line bottom of sink with newspaper to prevent metal shavings, parts, or tools from falling down drain.
- (B) Place masking tape over the area to be drilled to prevent scratches if drill bit slips.
- (C) Mark hole with center punch. Use a 1/4" drill bit for a pilot hole, then, using a 3/4" drill bit, drill a hole completely through the sink. Smooth rough edges with a file.

2. MOUNTING THE FAUCET

- (A) Remove wing nut and metal washer from the threaded shaft of the faucet. Leave the black rubber washer on the threaded shaft.
- (B) Slide the threaded shaft of the faucet into drilled hole.
- (C) From under the sink, slide the metal washer on and thread the wing nut on. Tighten the wing nut by hand until tight. It may be necessary to have a second person to hold the faucet while tightening the wing nut.

NOTE: Do not overtighten the wing nut. Hand tighten only. Do not use pliers or wrench to tighten.

3. INSTALLING THE WATER SUPPLY ADAPTER

The water supply female adapter fits the 3/8" NPS stop valve threads. If local codes permit, it may be used to connect the Starter to the cold water supply line. If local codes do not permit the use of the supply adapter, alternate connectors can be obtained from your local supplier.

- (A) Turn off cold water supply line. If cold water line does not have a shut-off valve under the sink, you should install one.
- (B) Turn on the cold water faucet and allow all water to drain from line.
- (C) Disconnect cold water line from 3/8" NPS stop valve.
- (D) Apply Teflon® tape onto threads of the 3/8" NPS stop valve, screw on the 3/8" NPS water supply female adapter. Push one of the 3/8" ports on the water supply tee onto the 3/8" stem portion of the 3/8" NPS water supply female adapter.

- (E) Using the supply line that previously connected the cold water to the faucet, screw the 3/8" NPS water supply male adapter into the 3/8" female supply line nut threads. Push the 3/8" stem of the 3/8" NPS water supply male adapter into the other 3/8" port of the water supply tee.

4. SELECTING A MOUNTING LOCATION

The undersink location selected for system installation should:

- (A) Allow for clearance to open and close valve.
- (B) Allow room on either side of cartridge for grasping and turning.
- (C) Allow ring label(s) to be clearly visible to simplify cartridge changing.
- (D) Allow a minimum clearance of 2 1/2" (6.5 cm) under the cartridge(s) for removing and replacing the cartridge. Recommended installation is that the bottom of the head assembly is 18" (46 cm) above the cabinet floor for future upgrades.
- (E) Allow sufficient space above unit to avoid crimping of "in" and "out" water lines.

5. CONNECTING THE SUPPLY ADAPTER AND INLET OF FILTER

- (A) Determine the length of plastic tubing needed to connect the inlet (left) side of the filter with the supply adapter. Be sure to allow enough tubing to prevent kinking and cut the tubing squarely. Place a mark 5/8" from the end of the tubing.
- (B) Wet tubing with water and insert into supply adapter 5/8" until mark is flush with fitting.

NOTE: Disconnecting the Tubing from the Quick-Connect Fittings. Routine maintenance and cartridge replacement will not require that you disconnect the tubing from the filter system; however, tubing may be quickly and easily removed from the fitting if necessary. First, turn off the water supply to the filter. Open faucet, then press in the grey collar around the fitting while pulling the tubing with your other hand.

6. CONNECTING THE FAUCET

- (A) Insert one end of the 1/4" tube, supplied in the installation kit, into the gray quick-connect fitting collar located on the bottom of the threaded shaft of the faucet. Push tubing into the fitting until you come to a hard stop.

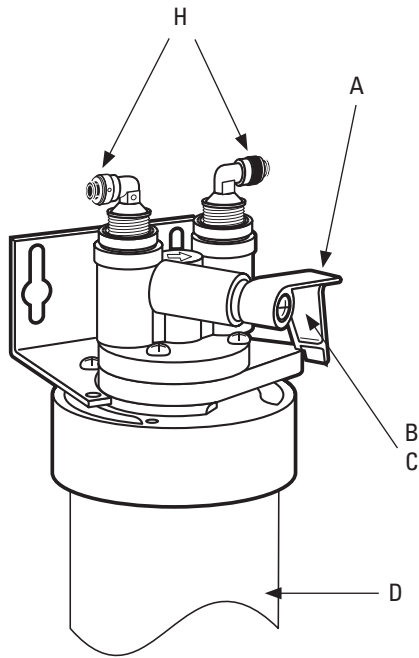
CAUTION: Do not bend or crimp tube when inserting.

- (B) Gently pull back on the tube to ensure it is connected properly. If the tube comes out of fitting, cut a small section of the tube off and reconnect.

7. PUTTING FILTER INTO OPERATION

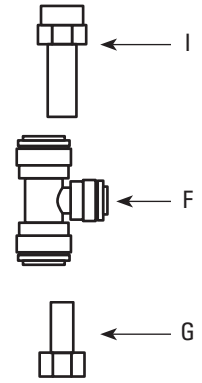
The 0.5 gpm flow control fitting (quick-connect gray fitting with black identifying band or white fitting) supplied with the system must be installed in the outlet of the head (See figures A,B and C for the outlet marked with an "X".).

When the installation is complete, double-check for proper location of inlet and outlet water lines. The inlet line from the cold water source should be attached to the inlet port; the line leaving the filter going to the filter faucet exits the filter from the outlet port. Look for direction-of-flow arrow on top of head. With the valve handle in the off position (as far counterclockwise as possible), turn on water supply and check for leaks. Install cartridge as directed on the cartridge label and recheck for leaks. For cold water use only.



REPLACEMENT PARTS

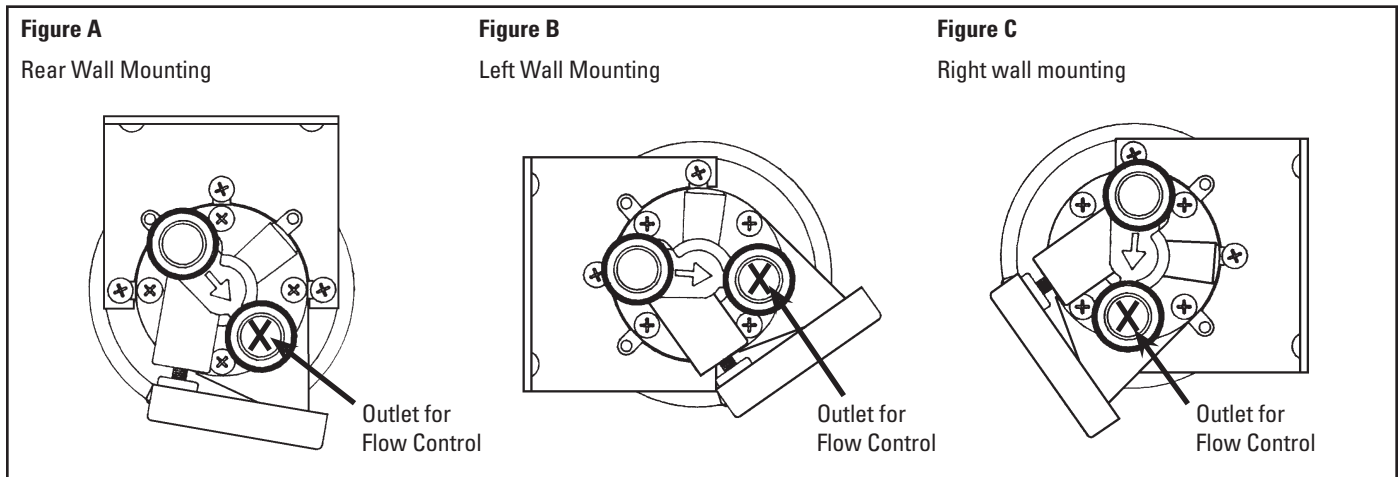
Key	Description	Part Number
A	Shutoff valve handle for nylon head	EV3034-52
B	Valve Stem	EV5896-00
C	Valve Stem Screw	EV3012-00
D	Upgrade Replacement Cartridge	
	H-50	EV9719-06
	H-54	EV9730-06
	H-104	EV9612-16
	H-300	EV9270-72
E	QL3 Head Assembly	EV3117-55
F	Water Supply Tee	EV3116-59
G	Water Supply Female Adapter	EV3117-59
H	Restrictor Fittings Pack, John Guest 3/8" FPT for all models	EV3081-68
I	Water Supply Male Adapter	EV3117-58



DIMENSIONS TABLE FOR FUTURE CARTRIDGE UPGRADES

	Width	Height	Depth
H-50	5"	15"	5"
H-54	5"	15"	5"
H-104	5"	20"	5"
H-300	5"	22"	5"

Heigh includes 2.5" required for cartridge removal and replacement.



CARTRIDGE CHANGE PROCEDURE

1. Shut off water and relieve line pressure. For heads with built-in shut-off valve, fully lift handle until it stops.

2. Hold head firmly. Push upward on cartridge and turn to left 1/4 turn, until rotation stops.
3. Pull cartridge down and out of head.

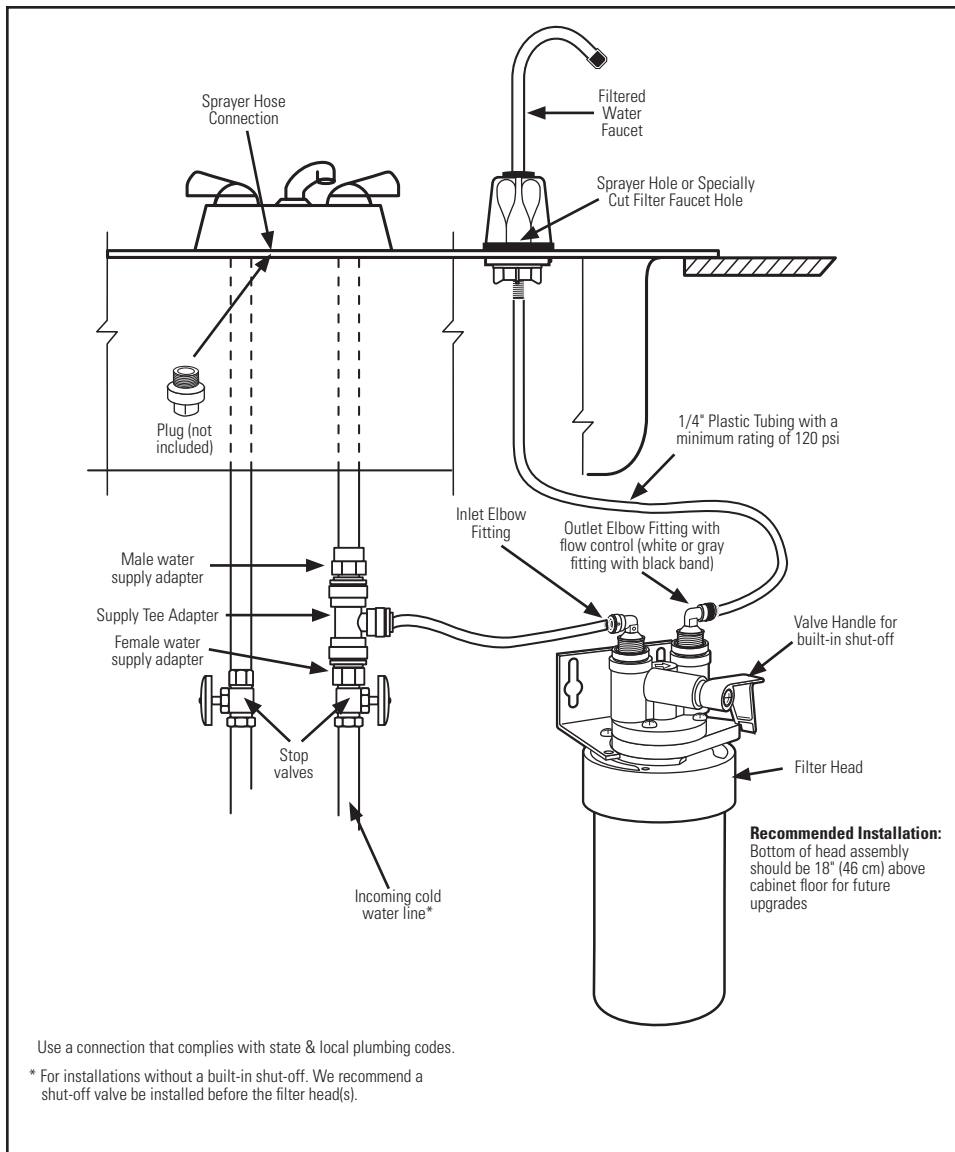
4. Align new cartridge lug with head label. Hold head firmly. Insert new cartridge into head.

5. Turn cartridge to right 1/4 turn, until rotation stops.
6. Turn on water supply. For heads with built-in valve, lower handle.
7. NOW FLUSH CARTRIDGE! Follow start-up procedure.

START-UP PROCEDURE

Run water through filtered water faucet for three minutes to activate the cartridge. Activation also purges air and carbon fines. (A unit plumbed to an ice maker should also be plumbed to a drinking water tap to insure satisfactory performance.)

NOTE: Dispensed water may appear cloudy for a few days. This is due to air in the filter cartridge, and does not affect system performance or contaminant reduction in any way.

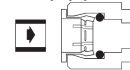


You can connect your Everpure system for quality water to several water-using appliances, such as an ice or water refrigerator, an instant hot water dispenser or chiller, and a plumbed-in coffee maker, in addition to the filter faucet. Install tees in the water line coming from the Everpure system to the other appliances. (We do not recommend installation of an Everpure system to an icemaker only, without a filter faucet connection under the sink. If installed to an icemaker only, an activation valve is required.)

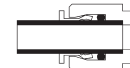
The Universal Plumbing Code adopted by over 20 states, and other specific state codes prohibit the use of saddle valves. You must adhere to your state plumbing codes. Consult your licensed plumber for installation.

QUICK-CONNECT FITTING Insertion & Removal of plastic tubing

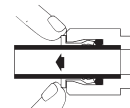
1. Simply push in tube to attach.



2. Tube is secured in position



3. Push in collet from both sides to release tubing.



Use a connection that complies with state & local plumbing codes.

* For installations without a built-in shut-off. We recommend a shut-off valve be installed before the filter head(s).

LIMITED WARRANTY

Everpure, LLC warrants this product to be free of defects in workmanship or materials for twelve months after purchase. This warranty extends only to the original consumer and does not cover products which malfunction due to user neglect or unauthorized modification due to user neglect or unauthorized modification. To obtain warranty performance, return this product to Everpure, LLC, transportation or mail prepaid, with an attached statement giving the date and place of purchase, the nature of the defect, your return address, and if possible, your telephone number. Upon receipt, Everpure, LLC will examine your claim, and at its option, will either replace or repair this product. Please send all returns or warranty questions to: Everpure, LLC, 1040 Muirfield Drive, Hanover Park, IL 60133. This warranty is given in lieu of all other warranties expressed or implied, written or oral. No employee, agent, dealer, or other person is authorized to give any warranties on behalf of Everpure, LLC

NOTE: Some states do not allow limitation on how long an implied warranty lasts so the above limitation may not apply to you. Similarly some states do not allow the exclusion or limitation of consequential or incidental damages so the above limitation or exclusions may not apply to you. This warranty gives you special legal rights. You may also have other rights which vary from state to state. Proof of purchase must accompany all merchandise returns.

For service and replacement parts, contact an authorized Everpure dealer or the Everpure factory.

Everpure, LLC, 1040 Muirfield Drive, Hanover Park, IL 60133. Customer Service: 800.323.7873



For sales, replacement components, and service, contact your Everpure dealer or:

Everpure, LLC: 1040 Muirfield Drive • Hanover Park, Illinois 60133 • 800.323.7873

In Europe: Toekomstlaan 30 • B-2200 Herentals, Belgium

In Japan: Hashimoto MN Bldg. 7F • 3-25-1 Hashimoto Sagamihara-Shi • Kanagawa 229-1103, Japan

Technical Service

800.942.1153

www.everpure.com