

# Helia™ Faucet

product specifications

Victorian Series

Everpure Helia™ drinking water faucets deliver instant chilled and instant hot water at the tap. The perfect complement to an Everpure commercial grade water filtration system, the Helia™ drinking water faucets are exclusively designed to be used with the Helia™ Combination Instant Hot/Chilled Water Appliance and are equipped with a built-in safety feature with spring loaded shut off to prevent accidents. Constructed of solid stainless steel and available in two beautiful finishes, Polished Stainless and Brushed Stainless, they are lead-free and feature a ceramic disc type valve for smooth functionality and lasting durability.



Everpure Helia™ Drinking Water Faucets are engineered to be used with:

- > Victorian, dual handle design
- > Solid Stainless Steel construction in two beautiful finishes
- > Spring loaded "hot" shut off valve safety feature
- > Insulated heat-resistant spout
- > 0.5 GPM flow
- > Lead-free
- > Ceramic disc type valve
- > Aerator tip provides even, clear stream of filtered water
- > RO compatible with the use of a separate air gap

## For commercial grade water filtration

### It's water filtration you can trust

The same commercial quality that makes Everpure the overwhelming choice for water filtration in restaurants is also available for your home. Everpure's exclusive precoat filtration technology combines Micro-Pure and a unique pleated filter membrane to reduce particles as small as 0.5 microns. This highly engineered design offers the largest filtering surface area, longer life and consistent performance.

### the pure solution

Our products polish water to premium quality so that water is sparkling and free of unwanted tastes and odors. You'll taste the difference in every sip and everything made with water will taste better, too.

### the convenient solution

Everpure systems are easily installed using common household tools. Our systems mount under your sink and are plumbed to a separate filter faucet. And cartridge replacement is easy, too — just like changing a light bulb.



Brushed Stainless Steel

### Everpure Helia™ Drinking Water Faucets are engineered to be used with:

- Any Everpure Drinking Water Filtration systems or Reverse Osmosis system and
- Everpure Helia™ Combination Instant Hot/Chilled Water Appliance

AquaHealth Systems, Inc.  
2300 South Clinton Ave, Unit F  
South Plainfield, NJ 07080  
Ph: 1-800-225-PURE (7873) Fax: 1-800-647-PURE (7873)  
www.AquaHealthSystems.com

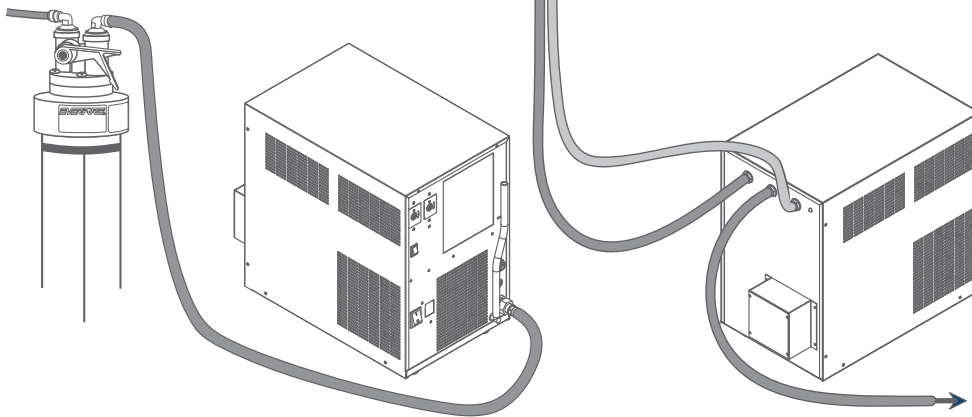
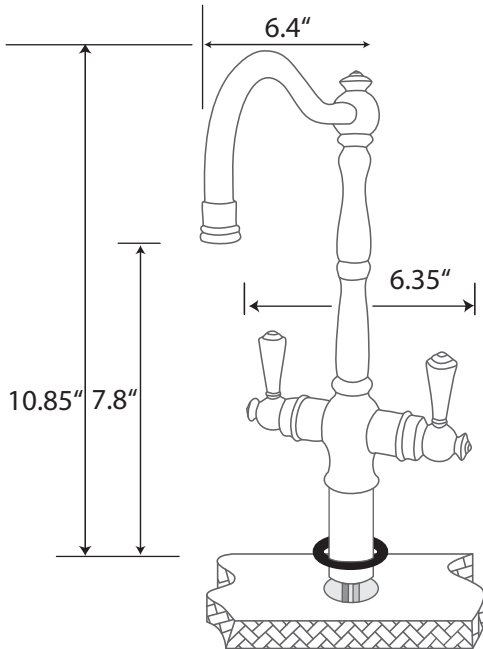
**EVERPURE**  
WATER YOU CAN TRUST®

# Helia™ Faucet

product specifications

Victorian Series

Polished Stainless Steel Finish - Part No. EV9006-20  
Brushed Stainless Steel Finish - Part No. EV9006-21



Everpure  
Drinking Water System\*

Everpure  
Helia™ Front\*

Everpure  
Helia™ Back\*

## flow rate

0.5 gal./min. (1.9L/min.)

## operating pressure

20 to 90 psi

## temperature

50 to 212 °F (10 to 100 °C)

## installation

1" or standard sink hole installation

## everpure warranty

This faucet is warrant to be free and clear of defect and workmanship defect for 5 years. The coated finish is warranted for 3 years. After 3 years, depending on local water conditions and/or cleaning agents used, the coating may not be as bright as new. For general cleaning, use a soft damp cloth. The use of cleaning chemicals is not recommended.

Everpure, LLC  
1040 Muirfield Drive  
Hanover Park, IL 60133 USA  
Phone: (630) 307-3000  
Fax: (630) 307-3030  
Customer Service: (800) 323-7873  
Technical Service: (800) 942-1153  
[www.everpure.com](http://www.everpure.com)

\*All products sold separately

Everpure® is a registered trademark of Everpure, LLC ©2008

**EVERPURE**  
WATER YOU CAN TRUST®